

PRODUCT DETAILS

BIANCO NXT BLC series are horizontal, single stage, stainless steel centrifugal pumps, suitable for domestic and industrial applications.

Their premium quality stainless steel construction and nitrile elastomers allows for the pumping of clean or moderately aggressive fluids for temperatures up to 85 deg C

APPLICATIONS

- Pumping clean or moderately aggressive fluids
- Water supply
- Water transfer
- Water circulation
- Tank Emptying
- Pressure boosting
- Washing cars
- Gardening
- Irrigation
- Fountains
- Dairy services
- Vat wash

FEATURES

- Compact, simple design
- Close coupled 240V single phase TEFC motor with in-built auto reset thermal overload
- Quiet and reliable
- Floating nose sealing ring for higher efficiency
- Corrosion resistant 304 stainless steel pump body, impeller, diffuser, seal support and pump shaft. Nitrile o-rings

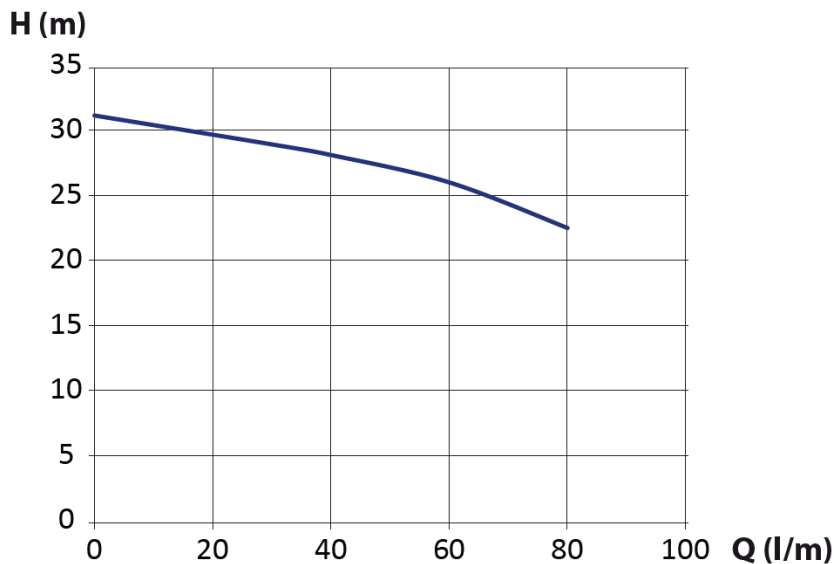


TECHNICAL DATA

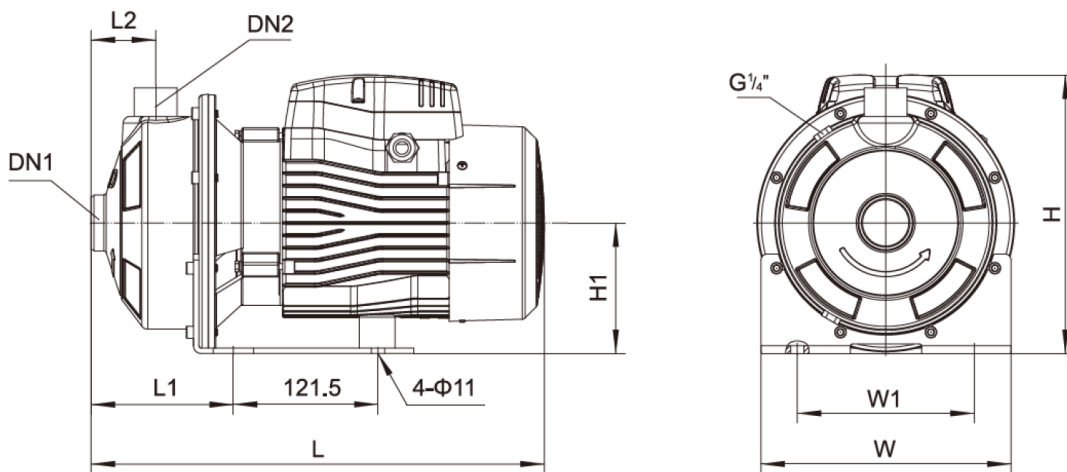
| | |
|-------------------------------|---------------------------|
| RATED POWER (W) | 0.55kW |
| MAX. FLOW [LPM] | 80 l/min |
| MAX. HEAD [M] | 30.4m |
| MAX OPERATING PRESSURE | 8 bar |
| MOTOR INSULATION | F Class |
| MOTOR PROTECTION | In-built thermal overload |
| MAX AMBIANT TEMP | 40 deg C |
| MAX LIQUID TEMPERATURE | 3 - 85 deg C |
| MECHANICAL SEAL | Graphite/Ceramic/Nitrile |

| | |
|--------------------------|--|
| RATED VOLTAGE | 230v (-6%, +10%) 1 PH 50 Hz |
| RATED CURRENT | 4.8 amps |
| CAPACITOR | 20uF 450V |
| POWER CABLE TYPE | 1.5m H07RNF with 10 amp Au/NZ 3 pin plug |
| PROTECTION CLASS | IP44 |
| INLET | 1 1/4" BSPF |
| OUTLET | 1" BSPF |
| CARTON DIMENSIONS | 410 x 240 x 270mm |
| GROSS WEIGHT (KG) | 14.5 kg |

CURVE



DIMENSIONS



| Model | DN1 (BSPF) | DN2 (BSPF) | L (mm) | W (mm) | H (mm) | L1 (mm) | L2 (mm) | W1 (mm) | H1 (mm) |
|----------------|------------|------------|--------|--------|--------|---------|---------|---------|---------|
| BIA-BLC70-75S2 | 1-1/4" | 1" | 381 | 210 | 234 | 119 | 55 | 149 | 110 |

WARRANTY / CERTIFICATIONS

